

TROX GmbH

Heinrich-Trox-Platz
 D-47504 Neukirchen-Vluyn
 Telephone +49/28 45/2 02-0
 Telefax +49/28 45/2 02-2 65
 e-mail trox@trox.de
 www.troxtechnik.com

Product Information TROXNETCOM-AS-Interface AS-E

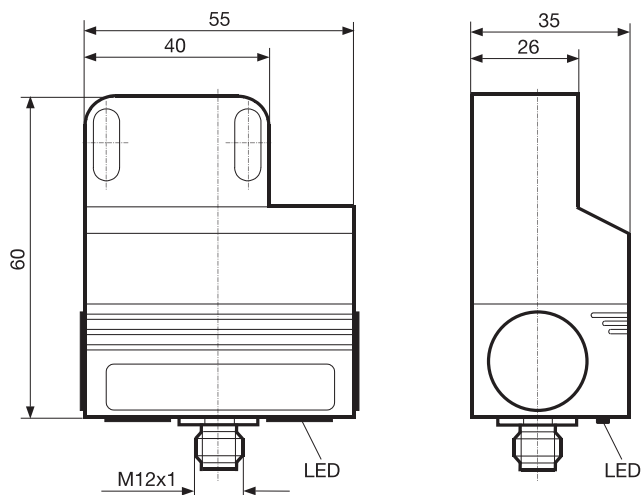
PI/7.1/2/EN/1

AS-E

Intelligent inductive sensor to measure the "OPEN" and "CLOSED" damper setting as well as the intermediate setting.

- Integrated AS-Interface slave
- Monitoring of the transmission function
- Connection over the flat cable adapter through the penetration technology
- Voltage supply of the sensor through the AS-Interface

Module AS-E



Technical data

Order code	AS-E
Electrical configuration	2x2 inputs
Operating voltage [V]	26.5 ... 31.6 DC
Current consumption [mA]	< 60
Inputs	
Switching	DC PNP
Sensor supply	AS-i
Input voltage [V]	20 ... 30 DC
Short-circuit protection	Yes
Input signals display	LED yellow
Short-circuit display/cable break	LED red
Ambient temperature [°C]	-20 ... +70
Protection, safety class	IP 67
AS-i profile	S 7.F
I/O configuration [Hex]	0
ID-code [Hex]	0
EMV	EN 50081-1; EN 50082-2
Housing material	PBTP (Pocan)
Dimensions (L x W x H) [mm]	60 x 55 x 35
Connection	Through the flat cable adapter