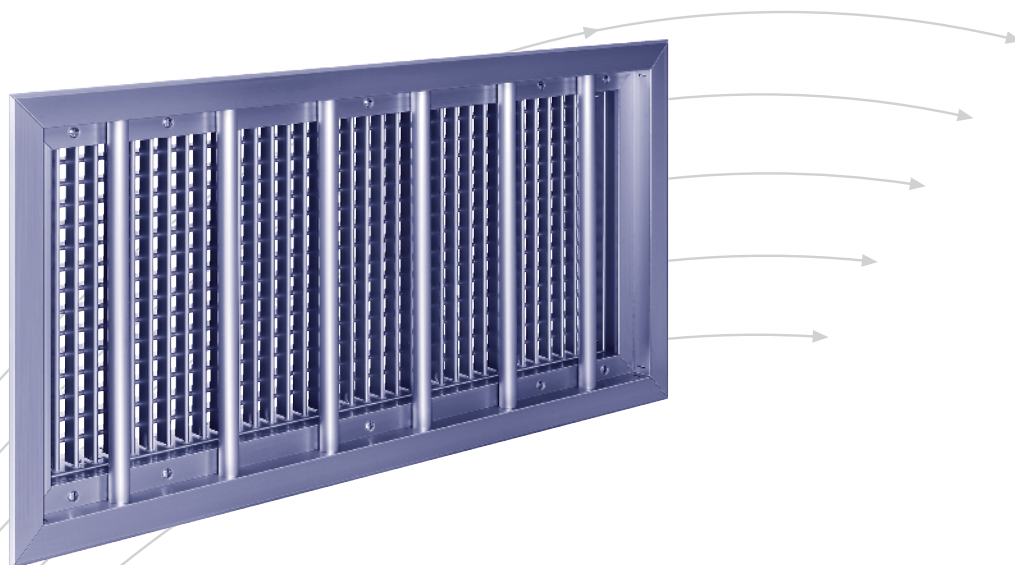


Ball protection grilles

Type BSDG(L), BSDGR(L) and BSDGR(L)A



TROX[®] TECHNIK



TROX HESCO Schweiz AG
Walderstrasse 125
Postfach 455
CH - 8630 Rüti /ZH

Tel. +41 (0)55 250 71 11
Fax +41 (0)55 250 73 10
www.troxhesco.ch
info@troxhesco.ch

Contents · Application · Realisation · Dimensions

Contents

Application · Realisation · Dimensions	2
Realisation · Dimensions	3
Order details	4

Application

The ball protection grilles are used as supply or extract air grilles in gymnastics, sports and multipurpose halls. They are protected against ball impacts, i.e. all models have been tested by the official Research and Material Testing Institute for Civil Engineering (Otto Graf-Institut) in Stuttgart, Germany. Tests passed for footballs, handballs and medicine balls.

Realisation

Ball protection grilles **type BSDG** are diffusion grilles with a non-protruding ball-protection frame made of powder-coated steel according to RAL 9010.

For additional information, see the DG brochures.

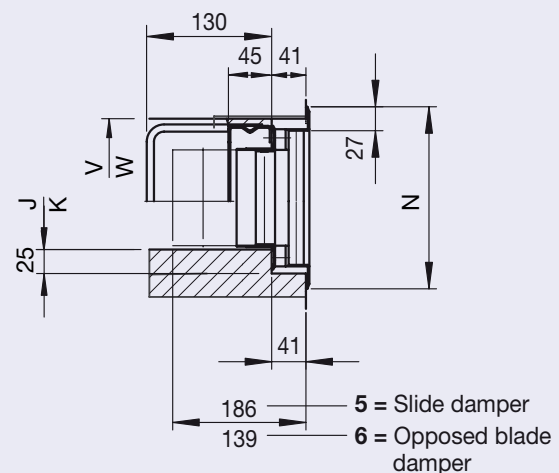
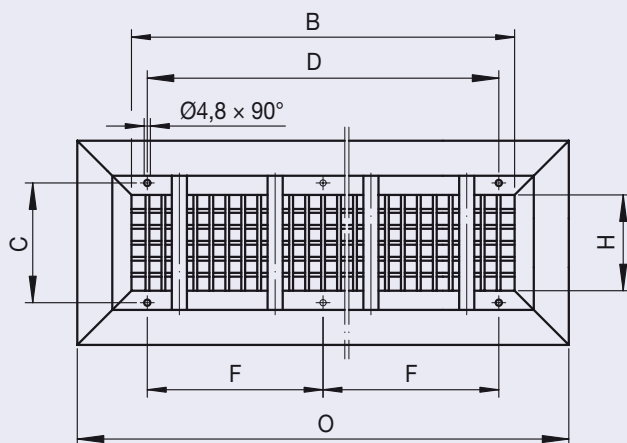
Ball Protection Grilles **type BSDGL** are diffusion grilles with a non-protruding ball-protection frame made of colourless anodised aluminium.

For additional information, see DGL brochure L-02-2-01e.

Masonry frame MRDG STARK made of galvanised metal sheet.

For additional information, see MRDG brochure L-02-1-10e.

Dimensions type BSDG(L)



B	D	F	O	K	W
[mm]	[mm]	[mm]	B + 97 [mm]	B + 15 [mm]	B + 60 [mm]
600	567	283.5	697	615	660
750	600	300	847	765	810
900	283.5 +300.0 +283.5	-	997	915	960

H	C	N	J	V
[mm]	[mm]	H + 97 [mm]	H + 10 [mm]	H + 60 [mm]
200	225	297	210	260
250	275	347	260	310

Special version ball protection grille BSDG(L)

- With 4.2mm fixing holes (in 27mm edge)
- With fixed resistance (price on request)

Realisation

Ball protection grilles **type BSDGR(A)** are diffusion grilles with a non-protruding ball-protection frame for duct installation and are made of grey powder-coated steel according to RAL 7037.

Ball protection grilles **type BSDGR(L)A** are aluminium diffusion grilles with a non-protruding ball-protection frame for duct installation and are made of grey powder-coated steel according to RAL 7037.

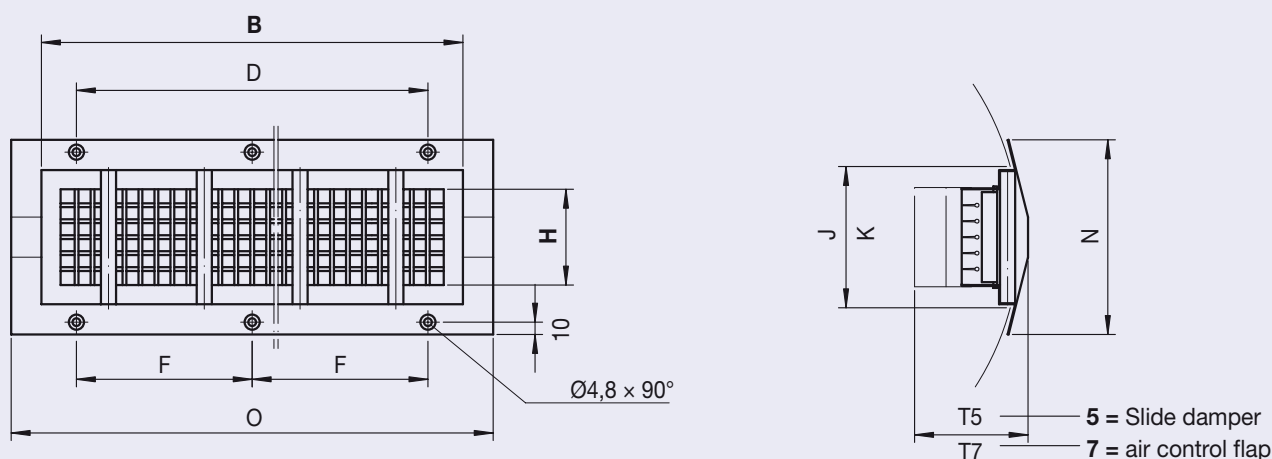
Continuous grilles are not available.

Note:

Grille must be attached to the duct duct with screws.

For additional information, see **DGR brochure L-02-1-09e**.

Dimensions type BSDGR(A), BSDGR(L) and BSDGR(L)A



B Nominal width [mm]	D [mm]	F [mm]	O B + 100 [mm]	K B + 65 [mm]
600	567	283.5	700	665
750	717	358.5	850	815

H Nominal height [mm]	J H + 60 [mm]	N H + 50 [mm]	T5		T7 [mm]	Duct range-Ø BSDGR(L) [mm]	Duct range-Ø BSDGR(L)A [mm]
			B = 600 [mm]	B = 750 [mm]			
100	160	200	158	178	144	400-1000	315-500
150	210	250	160	180	150	560-1250	400-630
200	260	300	165	185	155	630-1350	500-710
250	310	350	170	190	160	800-1400	710-900

Order details

Order codes

No details for standard products



- Type**
- BSDG** = Diffusion grille with ball protection (steel)
 - BSDGR** = Diffusion grille with ball protection (steel, for duct installation)
 - BSDGRA** = Diffusion grille with ball protection (steel, for small-diameter duct installation)
 - BSDGL** = Diffusion grille with ball protection (aluminium)
 - BSDGRL** = Diffusion grille with ball protection (aluminium, for duct installation)
 - BSDGRLA** = Diffusion grille with ball protection (aluminium, for small-diameter duct installation)

- 1** = Supply air without damper
- 3** = Extract air without damper
- 5** = Supply air with slide damper
- 5P** = Supply air with parallel slide damper
- 35** = Extract air with slide damper
- 35P** = Extract air with parallel slide damper
- 6** = Supply air with opposed blade damper
- 8** = Extract air with opposed blade damper
- 17** = Supply air with air control flap
- 7** = Extract air with air control flap

- 0** = With fixing holes in inner frame (standard)
- BL** = With fixing holes in outer frame

- 0** = None (standard)
- ZK1** = Supply air box, bending to inside

B x H
Nominal width x nominal height

RAL 9006 silky sheen, 60% brilliance

- 0** = **Standard BSDG:** powder-coated according to RAL 9010, silky sheen, 60% brilliance
Standard BSDGR(A): powder-coated according to RAL 7037, silky sheen, 60% brilliance
Standard BSDGL: anodised according to E0-VSA200 (colourless)
- P1** = Powder-coated according to RAL... (additional RAL colours and brilliance levels available on request)
- S1** = Spray-painted according to RAL... (additional RAL colours and brilliance levels available on request) (BSDGL only)
- S2** = Anodised according to E0-... (EURAS or VSA standard possible) BSDGL only.

- 0** = No divergence (standard)
- 44** = 44° divergence
- 84** = 84° divergence
- 110** = 110° divergence
- 140** = 140° divergence
- geg** = Opposed

Order example

10 off BSDG3BL / 600x150 / 44 / P1

Options

– Other RAL colours

For additional information, see DG brochure.