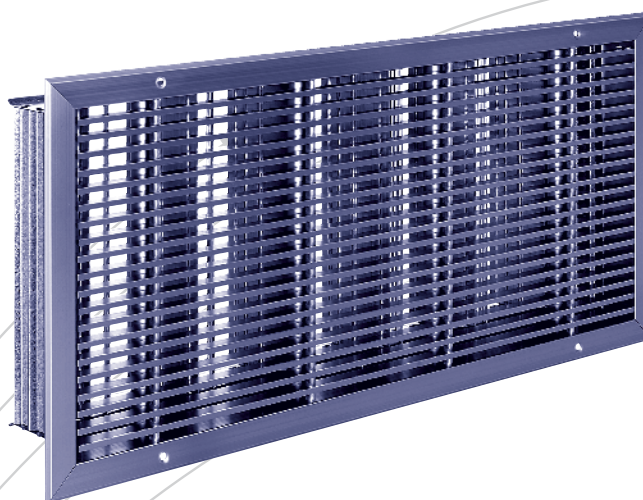


# Ball protection grille

Type BSLG



**TROX**® **TECHNIK**



TROX HESCO Schweiz AG  
Walderstrasse 125  
Postfach 455  
CH - 8630 Rüti /ZH

Tel. +41 (0)55 250 71 11  
Fax +41 (0)55 250 73 10  
[www.troxhesco.ch](http://www.troxhesco.ch)  
[info@troxhesco.ch](mailto:info@troxhesco.ch)

# Contents · Application · Realisation · Dimensions

## Contents

Application · Realisation · Dimensions	2
Dimensions	3
Order details	4

## Application

The ball protection grilles are used as supply or extract air grilles in gymnastics, sports and multipurpose halls. They are protected against ball impacts, i.e. all models have been tested by the official Research and Material Testing Institute for Civil Engineering (Otto Graf-Institut) in Stuttgart, Germany. Tests passed for footballs, handballs, medicine balls and hockey balls.

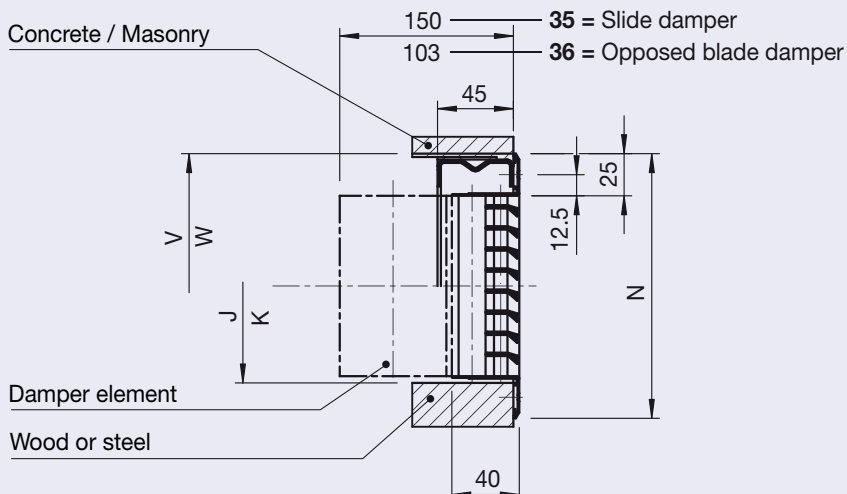
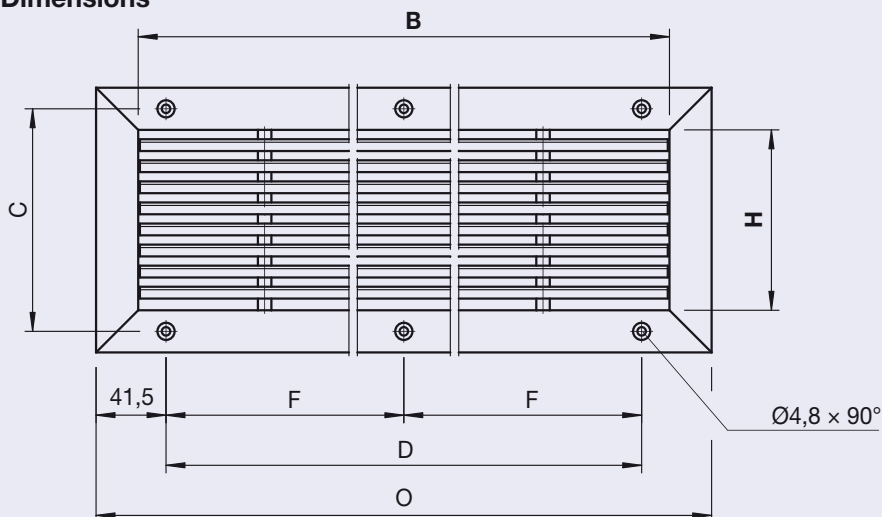
## Realisation

Ball protection grilles **type BSLG** are reinforced linear grilles. They consist of an outer frame and a fixed-blade grate, are reinforced with struts and are made of colourless anodised aluminium.

**For additional information, see LG brochure L-03-1-01e.**

Masonry frame MRLG STARK made of galvanised metal sheet.

## Dimensions



<b>B</b> Nominal width [mm]	<b>D</b> [mm]	<b>F</b> [mm]	<b>O</b> B + 50 [mm]	<b>K</b> B + 15 [mm]	<b>W</b> B + 50 [mm]
600	567	283.5	650	615	650
750	717	358.5	800	765	800
900	867	433.5	950	915	950
1000	967	483.5	1050	1015	1050

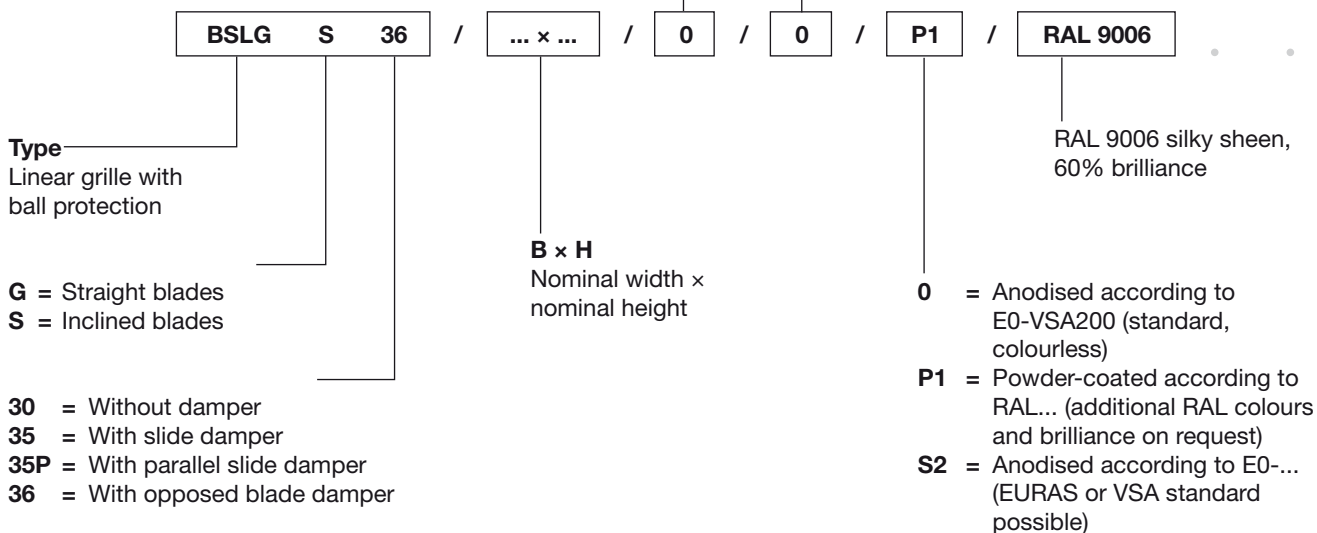
<b>H</b> Nominal height [mm]	<b>C</b> [mm]	<b>N</b> H + 50 [mm]	<b>J</b> H + 8 [mm]	<b>V</b> H + 50 [mm]
207	232	257	215	257
257	282	307	265	307
307 1)	332	357	315	357

1) = not available with model 35 slide damper

# Order details

## Order codes

No details for standard products



## Order example

10 off BSLG S 36 / 1000x207 / P1  
25 off BSLG G 30 / 750x207 / P1

## Options

– Other RAL colours

Technical informations, see brochure L-03-3-01e.