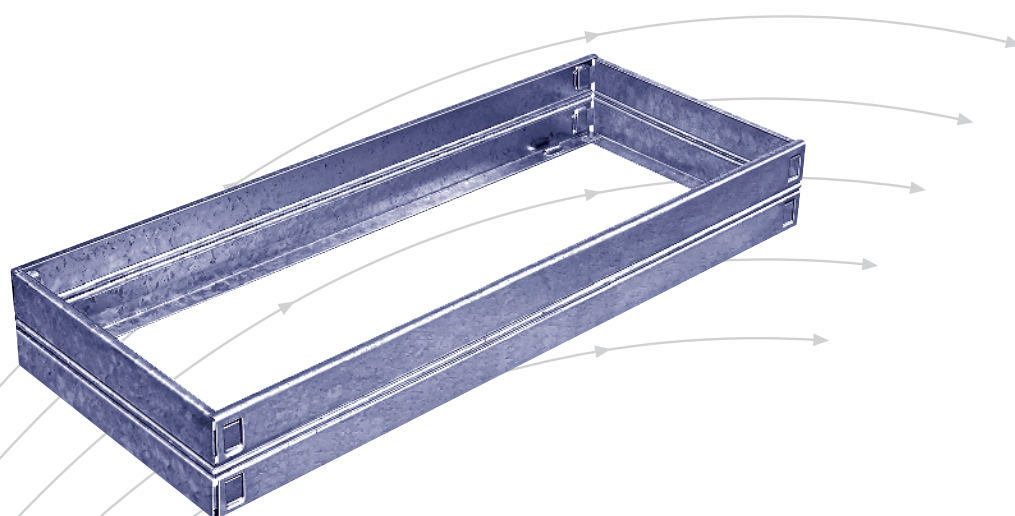


Masonry frame for diffusion grilles

Type MRDG



TROX® **TECHNIK**



TROX HESCO Schweiz AG
Walderstrasse 125
Postfach 455
CH - 8630 Rüti /ZH

Tel. +41 (0)55 250 71 11
Fax +41 (0)55 250 73 10
www.troxhesco.ch
info@troxhesco.ch

Contents · Application · Realisation · Dimensions

Contents

Application · Realisation · Dimensions	2
Dimensions	3
Order details	4

Application

Wherever it is impossible to screw TROX HESCO diffusion grilles to sheet metal ducts, experience has proved that it is advantageous to mount them on appropriate masonry frames. The elongated bolt holes facilitate assembly work. The ventilation mechanic can mount the diffusion grilles on the masonry frames installed by the plasterer rapidly and efficiently. The same masonry frame can also be used for screwless mounting of the diffusion grilles.

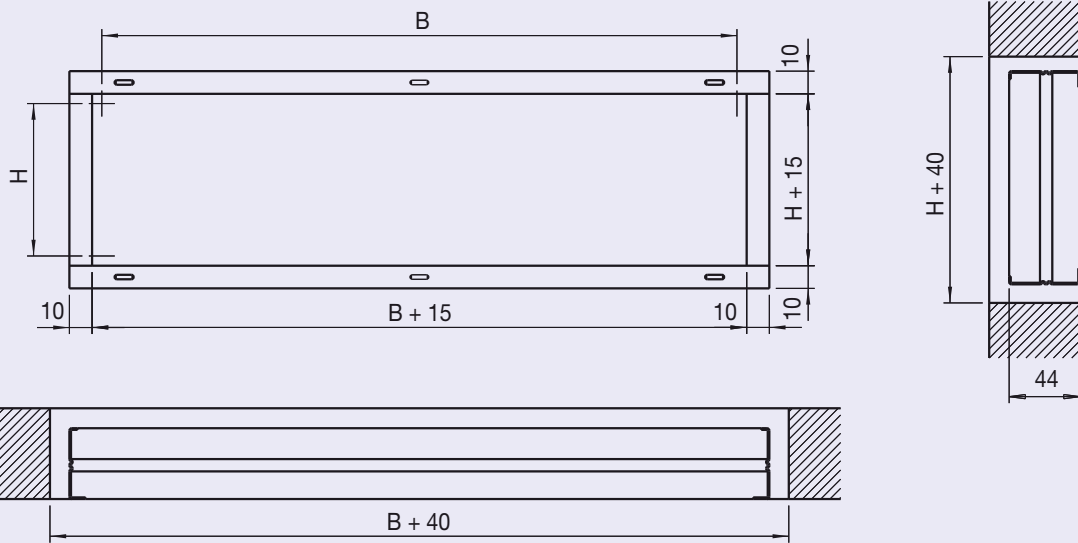
Realisation

Profiled frame of galvanized iron.
The masonry frame will be sent as set for fitting with an insertion instruction. Masonry frames already mounted are available with extra costs.

Dimensions

- Assortment
- Nominal dimensions of the grilles
(Nominal width B × nominal height H)

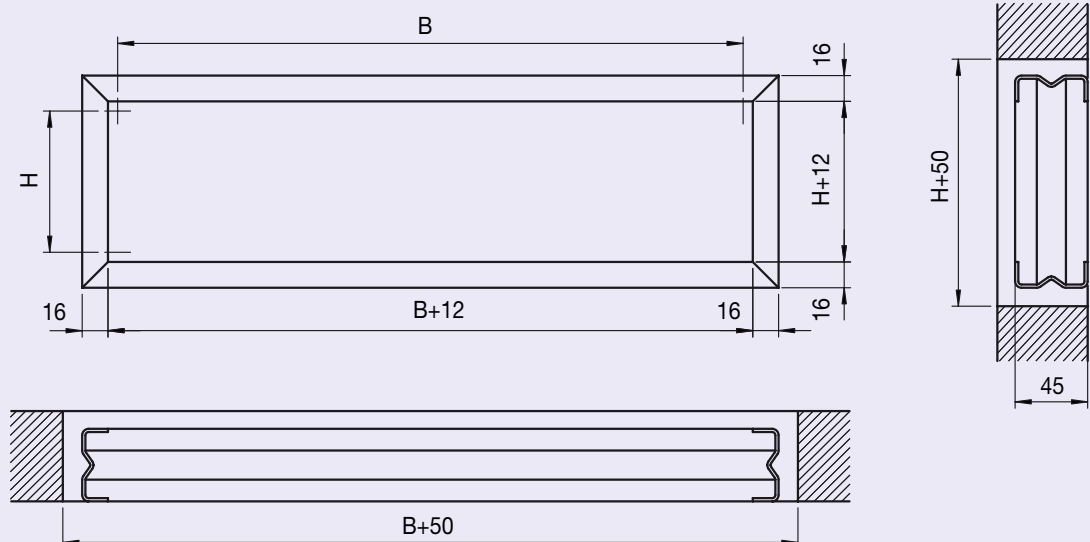
Nom. width B [mm]	Nominal height H [mm]					
	50	100	150	200	250	300
200	50	100				
250	-	100				
300	50	100	150			
400	50	100	150	200		
500	50	100	150	200		
600	50	100	150	200	250	300
750	50	100	150	200	250	-
900	-	100	150	200	250	300



Special execution

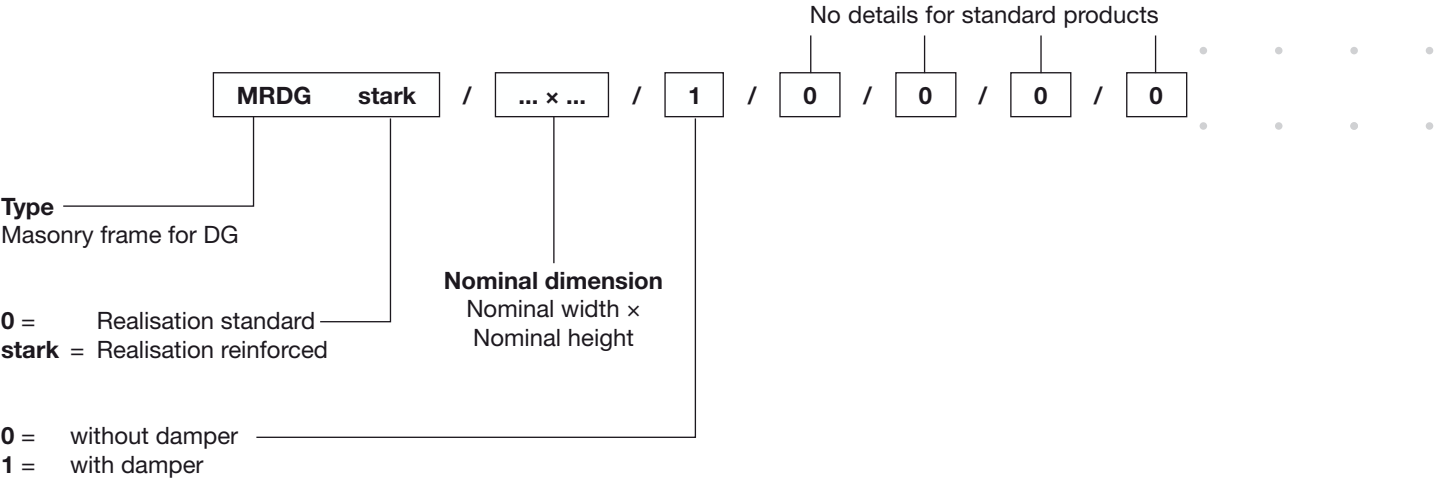
Reinforced masonry frame

(Standard by dimensions $B > 900$ mm and $H > 300$ mm)



Order details

Order Code



Order examples

- 15 off MRDGstark / 900x100
- 20 off MRDG / 400x200 / 1