



Circular silencer

CA

TROX GmbH

Heinrich-Trox-Platz
47504 Neukirchen-Vluyn, Ger-
many
Germany
+49 (0) 2845 202-0
+49 (0) 2845 202-265
E-mail: trox@trox.de
www.troxtechnik.com

Product overview

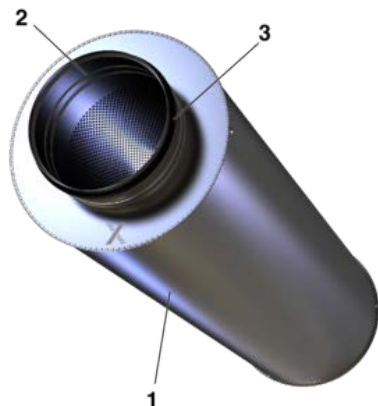


Fig. 1: Schematic representation, CA

- 1 Casing of the silencer
- 2 Spigot
- 3 Lip seal

Important notes

Safety

Correct use

Circular silencers are used to reduce noise in the circular ducts of ventilation and air conditioning systems within closed rooms.

For the reduction of air-regenerated noise of air terminal units and mechanical self-powered controllers, etc.

Do not use circular silencers in extract air systems in commercial kitchens unless the extract air has been cleaned as much as possible with high-efficiency aerosol separators; see VDI 2052.



Use in potentially explosive atmospheres (ATEX)

Circular silencers do not fall under the scope in accordance with Chapter 1, Article 1, Point 1a, 1b and 1c of EU Directive 2014/34/EU. The circular silencers must be used in areas with a potentially explosive atmosphere, zones 1, 2 and zones 21, 22 (outside), in accordance with Guideline 1999/92/EC.

Please note:

- Max. operating temperature 90 °C
- Max. airflow velocity 20 m/s
- When using lip seals for tube attachment, a grounding cable must be provided for the sound attenuator/tube.
- Earth circular silencers!
- Clean sound attenuators regularly to prevent accumulated dust!
- Clean circular silencers in such a way that no electrostatic charge builds up!

Manufacturer's statement ⇒
www.troxtechnik.com.

Incorrect use



WARNING!

Danger of injury or risk of damage to property due to incorrect use

Incorrect use of the circular silencer can lead to dangerous situations.

Never use the circular silencer:

- outdoors without sufficient protection against the effects of weather
- in rooms and systems with aggressive or contaminated air (to be assessed on a case to case basis)
- in process air systems

Modifying the unit or using replacement parts that have not been approved by TROX is not permitted.

Staff

Qualification

The work described in this manual has to be carried out by individuals with the qualification, training, knowledge and experience described below:

Specialized personnel

Specialised personnel are personnel, who due to their specialized training, skills, and experience, as well as knowledge of the applicable standards and regulations, are capable of executing the tasks assigned to them, and of recognizing possible hazards and avoiding them on their own.

Personal protective equipment

Personal protective equipment is equipment that protects the user against health or safety risks at work.

Personal protective equipment must be worn for various types of work; the protective equipment required is listed in this manual together with the description of each type of work.

Description of personal protective equipment

Industrial safety helmet



Industrial safety helmets protect the head from falling objects, suspended loads, and the effects of striking the head against stationary objects.

Protective gloves



Protective gloves protect hands from friction, abrasions, punctures, deep cuts, and direct contact with hot surfaces.

Safety shoes



Safety shoes protect the feet against crushing, falling parts, and from slipping on slippery ground.

Repair and replacement parts

Only qualified personnel must repair the products, and they have to use genuine replacement parts.

Transport, storage and packaging

Delivery check

Check delivered items immediately after arrival for transport damage and completeness. In case of any damage or an incomplete shipment, contact the shipping company and your supplier immediately.

Transport on site

Please note:

- Be careful when unloading or moving the product, and pay attention to the symbols and information on the packaging.
- If possible, take the product in its transport packaging up to the installation location.
- Use only lifting and transport gear designed for the required load.
- Always secure the load against tipping and falling.
- Do not move bulky items just by yourself. Get help to prevent injuries and damage.

Storage

Please note:

- Store the product only in its original packaging
- Protect the product from the effects of weather
- Protect the product from humidity, dust and contamination
- Storage temperature: -30 °C to 90 °C.
- Relative humidity: 80 % max., no condensation

Packaging

Properly dispose of packaging material.

Installation

General installation information

Personnel:

- Specialized personnel

Protective equipment:

- Protective gloves
- Industrial safety helmet
- Safety shoes



CAUTION!

Danger of injury from sharp edges, sharp corners and thin sheet metal parts!

Sharp edges, sharp corners and thin sheet metal parts may cause cuts or grazes.

- Be careful when carrying out any work.
- Wear protective gloves, safety shoes and a hard hat.

Please note:

- Horizontal or vertical installation orientation.
- Duct connection on both sides.
- Installation in ducts outside closed rooms requires sufficient protection against the effects of weather.
- Length (L) refers to the airflow direction.
- Installation material is not part of the supply package unless stated otherwise.
- Airflow direction freely selectable.
- Torsion-free installation.

Installation information for circular silencer

General installation information

- When designing and constructing ventilation and air conditioning systems, take into account the requirements of VDI6022, in particular:
 - Hygienic, clean installation of all components and their air distribution surfaces
 - Inspection and cleaning options by planning inspection/cleaning openings in the ducting system
 - Avoidance of leaks
- Affix the circular silencer proficiently and only to load-bearing components.
- Load suspension systems only with the weight of the circular silencer. Adjacent components and connecting ducts must be supported separately.
- Only use approved and sufficiently dimensioned suspensions for fixing. Secure screw connections against self-loosening, e.g., by locking them. Fixing material is not included in the supply package.
- Use only the shortest possible self-tapping screws in the vicinity of the spigot for fixing
- The smallest permissible bending radius of the circular silencer is $3 \times \text{outer diameter } \varnothing D_3$

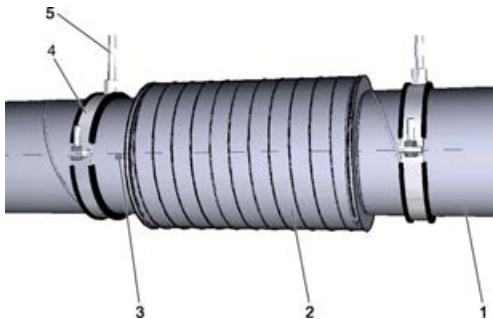


Fig. 2: Installation example for circular silencer

- 1 Duct
- 2 Circular silencers
- 3 Drilling screw for affixing to the ducting
- 4 Pipe clamp
- 5 Suspension, e.g. with threaded rod

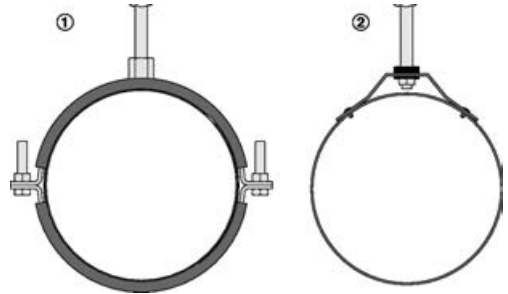


Fig. 3: Examples of fixings for circular units

- 1 Fixing to pipe clamps
- 2 Fixing to suspension element

- When installing the circular silencer, choose a load-bearing structure that will support the entire weight of the circular silencer construction.
- The weight of the circular silencer must not be supported by the spigots or flanges alone.
- Tension-free assembly
- Structure-borne sound transmission must be avoided by taking suitable measures.
- Installation in ducts outside closed rooms requires sufficient protection against the effects of weather
- Take standard DIN EN 12236 into consideration (suspensions and supports for air ducts)

Flange constructions

Flange constructions are designed according to DIN EN 12220. Connection dimensions of the flanges can be found in the standard.

Assembly to control components

Circular silencers without splitters can be used for the reduction of air-regenerated noise of air terminal units and mechanical self-powered controllers. Installation can be carried out without a minimum distance to the control component.

Connecting the air duct

When connecting the ducting, the customer must ensure that the connection points are installed as air-tight as possible in order to avoid negative influences from leakages such as air volume deviations, power consumption, etc. Unless otherwise stated, the connecting material is not included in the supply package.

Before connecting the ducting:

- Check the inside of the unit for damage and loose parts.
- Remove any contamination from the ducting.

Leakage classes

In order to be able to achieve the required tightness of the duct system, it is necessary that suitable sound attenuators and duct components have been selected. In addition, the following should be observed:

- Proper and expert assembly
- Provide seals
- Establish the cable fastening (suspension/support)

Circular ducting – metal

	<p>Spigot without lip seal</p> <ul style="list-style-type: none"> ■ Plug-in mounting on ducting in accordance with EN 1506 or EN 13180. ■ Fixing and sealing with ventilation strip, e.g., KLP180. <p>When using heat-shrinkable tape near the spigot, watch out for plastic parts of other components and heat carefully.</p>
	<p>Spigot with optional lip seal</p> <ul style="list-style-type: none"> ■ Plug-in mounting on ducting in accordance with EN 1506 or EN 13180. ■ Connect the spigot with the ducting, e.g., using drilling screws. ■ No further sealing required.
	<p>Spigot with steel flanges (galvanised steel)</p> <ul style="list-style-type: none"> ■ Matching flanges available as accessories ■ Seal and screw connection M8 (to be provided by others) ■ Dimensions and number of holes in accordance with EN 12220. ■ Position the ducting exactly. Do not pull the distances together via the flange connection.
	<p>Retrofitting of lip seals</p> <ul style="list-style-type: none"> ■ Double lip seal: Fit the short lip (1) on the connection side ■ Fit the ring seal as shown; avoid excessive stretching ■ Check for proper seating in the groove ■ Apply talcum around the ring seal

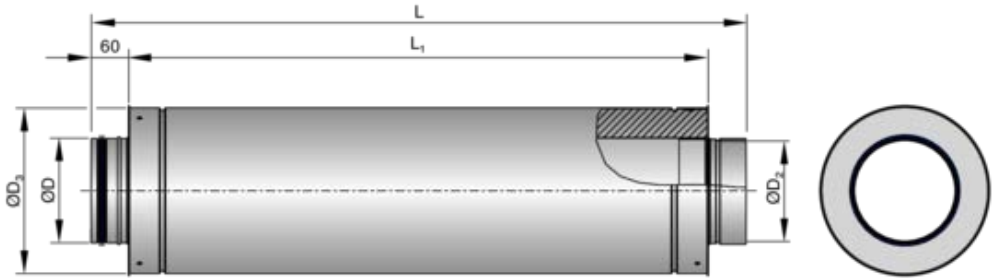
Technical data

General data

Item	Value
Nominal sizes	80 - 800 mm
Operating pressure	Minimum -750 Pa 2000 Pa max.
Airflow velocity	≤ 20 m/s
Air temperature	-30 °C to 90 °C
Relative humidity	≤ 80%, no condensation
Casing leakage according to EN 15727	Class D (up to and including nominal size 400) Class C (from nominal size 450)
* No corrosion resistance according to ISO 12944-2 has been specified for circular silencers.	

Item	Value
Materials of circular silencer*	<ul style="list-style-type: none"> ■ Galvanised steel (1.0917) ■ Stainless steel V2A (1.4301) ■ Stainless steel V4A (1.4571)
* No corrosion resistance according to ISO 12944-2 has been specified for circular silencers.	

Dimensions and weightCA



Dimensions

nominal size	ØD	CA025		CA050		CA100	
		ØD2	ØD3	ØD2	ØD3	ØD2	ØD3
80	79	80	129	80	184		284
100	99	100	154	100	204	100	304
125	124	125	184	125	228	125	319
160	159	160	204	160	254	160	354
200	199	200	254	200	304	200	405
250	249			250	354	250	455
315	314			315	405	315	505
400	399			400	505	400	605
450	448					450	636
500	498					500	716
560	558					560	806
630	628					630	806
710	708					710	908
800	798					800	1008

No registration: Spigot with groove according to EN 1506 / ØD
 D2 Spigot with lip seal on both sides acc. to EN 1506 / ØD
 AS Spigot with lip seal - ØD and socket-type spigot on one end - ØD2
 ØD3 outer diameter

Lengths

Nominal length	L	L1
	[mm]	
500	500	380
1000	1000	880
1500	1500	1380

Weights (plain casing)

nominal size	CA025		CA050			CA100		
	Nominal length							
	500	1000	500	1000	1500	500	1000	1500
m [kg]								
80	3	4	3	6				
100	3	5	4	6		5	9	13
125	3	6	4	7		6	10	14
160	4	7	5	8		7	11	16
200	5	8	6	10		8	13	19
250			7	12	17	9	15	22
315			8	14	21	10	18	25
400			10	18	26	13	23	32
450							24	33
500							28	40
560								45
630								47
710								54
800								62

Commissioning

Commissioning and operation

Personnel:

- Specialized personnel
 - ▶ Before you start commissioning:
 - Check proper installation of the circular silencers.
 - Ensure that all sound attenuators are clean and free from residues and foreign matter.

Commissioning



Code of good practice for commissioning

Commissioning is governed by the standard "DIN EN 12599 Testing and measuring procedures for the transfer of installed ventilation and air conditioning systems", and, if applicable, contractually agreed services between HVAC contractors, system owners and installation engineers. The standard describes the essential commissioning steps of the completeness check, function check, function measurement as well as report generation and handover.

Operation

Once commissioning has been completed, the circular silencer will operate in a self-powered manner and require no intervention from the system owner.

Depending on the area of application of the circular silencer, test specifications and intervals may have to be observed.

Maintenance

System owner's responsibility



WARNING!

Only authorised specialist personnel are allowed to perform the described maintenance measures.

The system owner is responsible for maintenance. The system owner is responsible for creating a maintenance plan, for defining the maintenance goals, and for the functional reliability of the equipment.

The legal regulations must be observed during maintenance, e.g. the system owner is responsible for hygienic operation in accordance with VDI 6022.

Maintenance

The circular silencers are low-maintenance in terms of wear, but they must be included in the regular cleaning of the ventilation system. Regular care and maintenance ensure long service life of the circular silencer.

Inspection measures

1. ▶ Remove contamination that affects the function of the circular silencer.
2. ▶ Check all screws for firm seating and retighten them, if necessary.
3. ▶ Document the maintenance work.

Repair

Repair work is only allowed to be carried out by specialist personnel or by the manufacturer. Only genuine replacement parts must be used.

Disposal



ENVIRONMENT!

Risk of harm to the environment due to incorrect disposal of goods and packaging!

Incorrect disposal can harm the environment.

- Be sure to comply with the relevant national guidelines and regulations.
- If you are not sure how to dispose of anything in an environmentally friendly manner, contact your local authorities or a specialist disposal company.

Note: The sound attenuator has to be disassembled for disposal.

If no take back (disposal) agreement with TROX GmbH is in place, we recommend disposing of the various materials as described below:

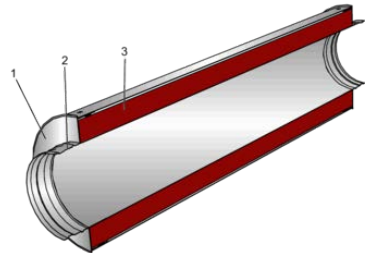


Fig. 4: Schematic illustration of the circular silencer

No.	Part	Material/ waste dis- posal code	Disposal
1	Casing, inner duct and spigot Casing, inner duct, spigot and splitter frame	Galvanised sheet steel, stainless steel EAK 170405	Scrap and metal recy- cling
2	Lip seal, cover fleece	Plastic EAK 170203	According to EAK
3	Absorption material	Mineral wool EAK 170604	According to EAK
EWC European Waste Catalogue			