

Actuators

Modulating actuators



For modulating operation and for switching between the heating and cooling modes of adjustable air terminal devices

Modulating actuators for air terminal devices Types VD, VDL, VDR, QSH, ISH, TJN and DUK

- Modulating operation and change of the discharge direction for two different operating situations
- Supply voltage 24 V AC/DC
- Control input signal: Control signal voltage, modulating, 0 (2) – 10 V

Type		Page
Modulating actuators	General information	MOD – 2
	Function	MOD – 3
	Technical data	MOD – 4
	Variants	MOD – 5
	Electrical connection	MOD – 6

Application

Application

- Actuators for variable adjustment
- Modulating operation of adjustable air terminal

- devices
 - Adjustment of the air discharge direction
-

Description

Parts and characteristics

- Mechanical stops for setting the discharge angle
- Supply voltage 24 V AC/DC
- Rotary and linear actuators with overload protection
- Setpoint value signal 2 – 10 V DC

- Release button to allow for manual operation

Useful additions

- TDC temperature difference control module

Functional description

The actuator moves the blades or other air control elements of an air terminal device to any position

between the HEATING and and COOLING positions.

The control input signal is a voltage signal.

Effect of actuator action in case of factory setting

Diffuser Type	Direction of action	
	1	2
VD	Cooling	Heating
VDL	Cooling	Heating
VDR	Cooling	Heating
TJN	Cooling	Heating
DUK 160 – 200	Heating	Cooling
DUK 250 – 400	Cooling	Heating

Actuator NM24A-SR

Supply voltage (AC)	24 V AC \pm 20 %, 50/60 Hz
Supply voltage (DC)	24 V DC \pm 20 %
Power rating (AC)	4 VA max.
Power rating (DC)	2 W max.
Torque	10 Nm
Running time for 90°	150 s
Control signal	2 – 10 V DC, $R_a > 100 \text{ k}\Omega$
Connecting cable	4 \times 0.75 mm ² , 1 m long
IEC protection class	III (protective extra-low voltage)
Protection level	IP 54
EC conformity	EMC to 2014/30/EU, RoHS to 2011/65/EU
Operating temperature	-30 to 50 °C
Weight	0.8 kg

Actuator 223F-24-150-001

Supply voltage (AC)	24 V AC \pm 20 %, 50/60 Hz
Supply voltage (DC)	24 V DC \pm 20 %
Power rating (AC)	8.5 VA
Power rating (DC)	5 W
Lifting force and thrust	150 N
Running time	28 mm/min
Control signal	0 – 10 V DC, $R_a > 100 \text{ k}\Omega$
Connecting cable	3 \times 0.75 mm ² , 1.8 m long
IEC protection class	III (protective extra-low voltage)
Protection level	IP 30
EC conformity	EMC according to 2014/30/EU
Operating temperature	-20 to 60 °C
Weight	0.650 kg

Actuator CM24-SX-F

Supply voltage (AC)	24 V AC \pm 20 %, 50/60 Hz
Supply voltage (DC)	24 V DC \pm 20 %
Power rating (AC)	1.5 VA max.
Power rating (DC)	1 W max.
Torque	2 Nm
Running time for 90°	75 s
Control signal	2 – 10 V DC, $R_a > 100 \text{ k}\Omega$
Connecting cable	4 \times 0.75 mm ² , 1 m long
IEC protection class	III (protective extra-low voltage)
Protection level	IP 20
EC conformity	EMC according to 2014/30/EU
Operating temperature	-30 to 50 °C
Weight	0.200 kg

Actuator NM24A-SR



Actuator 223F-024-150-001



Actuator CM24-SX-F



E3

Application

- Actuator Type NM24A-SR for changing the discharge direction of air terminal devices Types VD, VDR, VDL and DUK

Parts and characteristics

- Supply voltage 24 V AC/DC
- Control input signal: Setpoint value signal 2 – 10 V DC, corresponds to the total rotation

range (90°), working range is limited by mechanical stops

- Output: Actual value signal 2 – 10 V
- Mechanical stops for setting the discharge angle
- Direction of action can be reversed
- Positive lock connection with damper blade shaft
- Release button to allow for manual operation

E6

Application

- Actuator Type 223F-024-150-001
- For modulating operation and for switching between the heating and cooling modes of air terminal devices, suitable for Types QSH, ISH and DUK
- Linear actuator for concealed installation inside air terminal devices; preferred solution for air

terminal devices installed exposed

Parts and characteristics

- Supply voltage 24 V AC/DC
- Control input signal: Setpoint value signal 0 – 10 V
- Mechanical stops for setting the discharge angle
- Direction of action can be reversed

E9

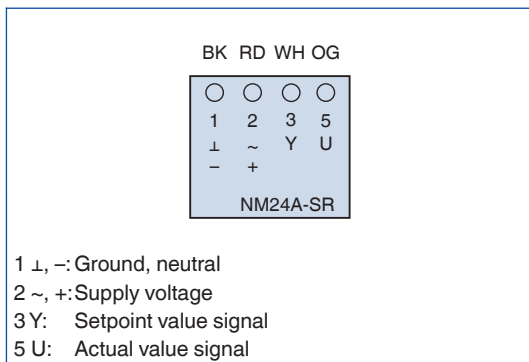
Application

- Actuator Type CM24-SX-F for changing the discharge direction of air terminal devices Type TJN

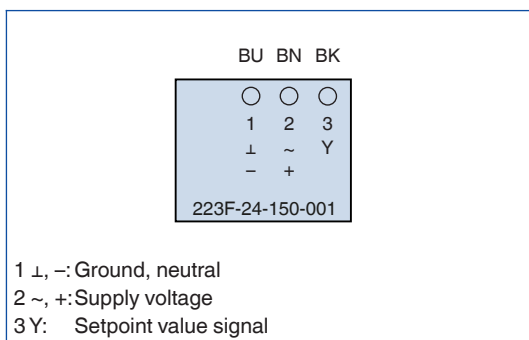
Parts and characteristics

- Supply voltage 24 V AC/DC
- Control input signal: Setpoint value signal 0 – 10 V
- Mechanical stops for setting the discharge angle
- Positive lock connection with the nozzle shaft
- Gear release magnet

NM24A-SR, connecting cable core identification



223F-24-150-001, connecting cable core identification



CM24-SX-F, connecting cable core identification

