



# Fire damper

## FKR-EU ODA

with thermal insulation



**TROX<sup>®</sup> TECHNİK**

The art of handling air

TROX GmbH  
Heinrich-Trox-Platz  
47504 Neukirchen-Vluyn  
Germany  
Telefon: +49 (0) 2845 202-0  
Fax: +49 (0) 2845 202-265  
E-mail: [trox-de@troxgroup.com](mailto:trox-de@troxgroup.com)  
Internet: <http://www.troxtechnik.com>

Translation of the original  
A00000071857, 1, GB/en  
06/2023

© 2023

<b>1</b>	<b>General information</b> .....	<b>4</b>
1.1	Scope of delivery .....	4
1.2	Tools .....	5
1.3	Requirements .....	5
<b>2</b>	<b>Installation</b> .....	<b>6</b>
2.1	Solid walls/solid ceilings .....	6
<b>3</b>	<b>Index</b> .....	<b>7</b>

## 1 General information

### 1.1 Scope of delivery

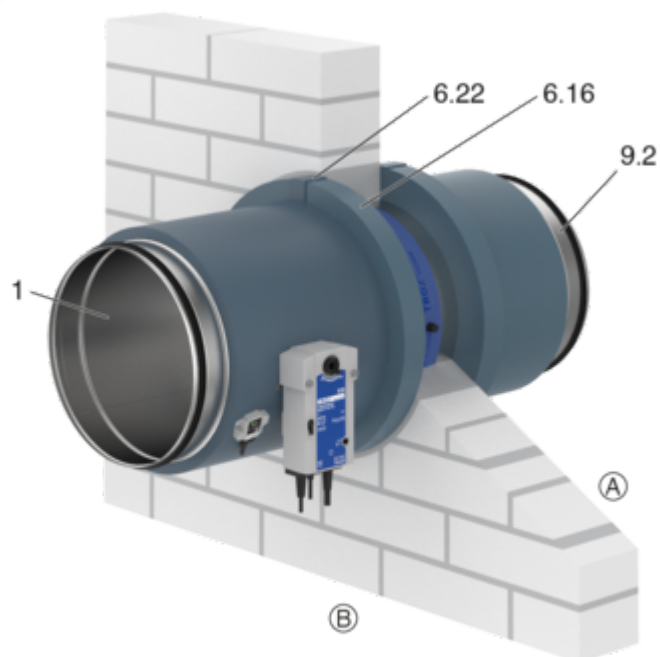


Fig. 1: FKR-EU with thermal insulation

- 1 FKR-EU with thermal insulation
- 6.16 Insulation material, Armaflex Ultima, all-round
- 6.22 Armaflex tape
- 9.2 Air duct/extension piece, the insulation material must be provided on site (not included in the scope of delivery)
- A Installation side
- B Operating side

Scope of delivery		
Position	Name	Quantity
1	FKR-EU with thermal insulation	1
6.16	Insulation material, Armaflex Ultima, all-round	1
6.22	Armaflex tape	1

## 1.2 Tools

### Tools



Fig. 2: Tools

## 1.3 Requirements

### Information on delivery

Thermal insulation is provided at the factory using the closed-cell insulation material Armaflex®-Ultima (Armacell®). The flexible material has a thickness of 32 mm and is glued over the entire surface.

This insulation material is an elastomer foam based on synthetic rubber. The surfaces of these materials have limited resistance against mechanical loads. Even when the insulating material is treated with care, there is a risk of contamination, pressure marks or surface damage during factory processing or transport. However, this shall not constitute justification for a complaint.

Deeper cuts and joints to on-site insulation materials must be closed using suitable adhesive, e.g. Armaflex® AHU700 (Armacell®).

### General installation information

- The actuators and thermal release unit are not covered in insulating material ex-works. If necessary, on site covers should be designed so that these areas remain accessible and the functioning of the fire damper is not affected.
- The fire damper flanges should be incorporated into the on-site duct insulation.
- Condensate in the area of the outside and exhaust air ducts can lead to damage to the products used or to the wall or ceiling slab. The fire dampers should therefore be incorporated into the on-site building measures for the condensate drainage.
- Be sure to comply with the relevant national guidelines and regulations for combustible building materials.
- The fire dampers must be protected against weather conditions. The use of external weather louvres in commercially available designs offer good protection against directly penetrating rain, but generally cannot prevent the entry of rainwater spray under certain conditions.

This is dependent on:

- Installation height
- Wind direction
- Rain intensity and angle of incidence

## 2 Installation

### 2.1 Solid walls/solid ceilings

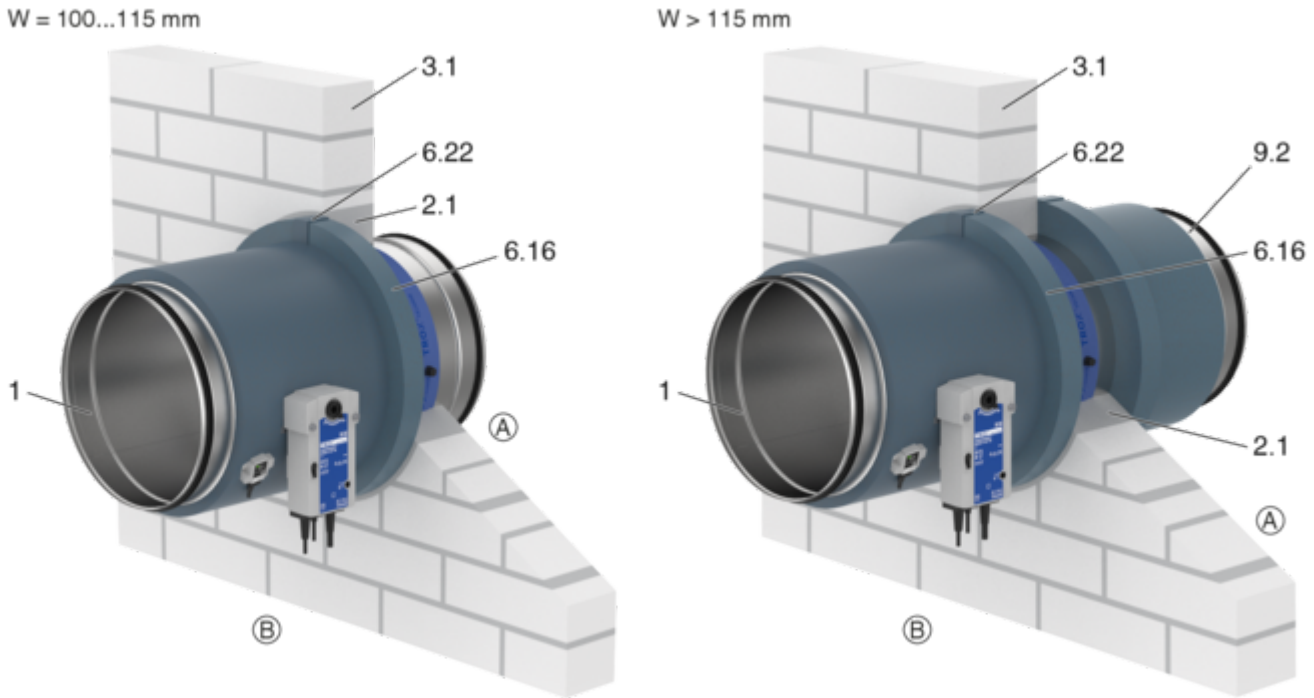


Fig. 3: FKR-EU with thermal insulation

1	FKR-EU	6.22	Armaflex tape
2.1	Mortar/gypsum mortar	9.2	Air duct/extension piece
3.1	Solid wall	A	Installation side
6.16	Insulation material, Armaflex Ultima, all-round, actuator and release mechanism must be accessible	B	Operating side

#### Additional requirements

- Solid wall
- Casing length L = 495 or 550 mm
- Attach insulation material (6.16) on site and seal the joint with Armaflex adhesive or the Armaflex tape (6.22) supplied.  
Depending on local conditions, insulation of larger wall areas may be necessary. The insulation on site can then be brought up to the insulated fire damper casing instead of the insulation material.
- Install on-site insulation, e.g. of the air duct or the extension piece (9.2), without gaps

**Note:**

*This additional installation manual completes the installation and operating manual of the FKR-EU. It shows the installation of the fire damper FKR-EU with thermal insulation in a solid wall. The installation situation shown is representative for all installation situations in solid walls and solid ceilings with mortar/gypsum mortar according to the installation and operating instructions FKR-EU.*

### 3 Index

#### A

Armaflex adhesive.....	5
Armaflex tape.....	4
Armaflex Ultima.....	4

#### F

Fire damper.....	4
------------------	---

#### I

Installation side.....	4
Insulation material.....	4

#### N

Nominal size.....	4
-------------------	---

#### O

Operating side.....	4
---------------------	---

#### S

Scope of delivery.....	4
------------------------	---

#### T

Thermal insulation.....	4
-------------------------	---

# TROX<sup>®</sup> TECHNİK

The art of handling air

TROX GmbH  
Heinrich-Trox-Platz  
47504 Neukirchen-Vluyn  
Germany

Telefon: +49 (0) 2845 202-0  
+49 (0) 2845 202-265  
E-mail: [trox-de@troxgroup.com](mailto:trox-de@troxgroup.com)  
<http://www.troxtechnik.com>

© 2023