

TROXNETCOM Communication master

Kommunikationsmaster ohne Bildschirm TNC-HCM2



Communication master for up to 20 AS-i controllers TNC-A1412 via Ethernet

- Without screen, external display via HTML5 (current browser)
- Factory installed TROXNETCOM Basic user software
- Interface for connection to a central building management system (BMS) via Ethernet with the protocols Modbus/TCP (server/slave) and BACnet/IP
- For sending status messages of all dampers and smoke detectors to the central building management system
- Certified BACnet implementation (BTL)
- Creation of BACnet configuration as EPICS and EDE files
- 2. Ethernet interface for a maximum of 20 AS-i controllers TNC-A1412 or TNC-A1353/54
- USB-A port for data backups and software updates
- 24 V DC supply, 1.25 A
- Remote diagnosis (TCP/IP) can be activated
- For installation in control cabinet with fixing bracket



Product description	2	Specification text	4
Technical data	3	Dimensions	5

Product description

Application

- External display via browser (HTML5):
 - Visualisation and operation via web server
 - Communication master for up to 20 ASi controllers
TNCA1412 in the controller network Ethernet
- Modbus/TCP and BACnet/IP interface for connection to building management systems (central BMS) without additional project planning effort
- With pre-installed TROXNETCOM Basic user software

Order code

TNC-HCM Communication master without screen



Technical data

Screen	without
RAM	1 GB (max.4 GB) DDR3
Ethernet	2 × ETH, RJ45
Casing material	Metal
Connection	Push-in spring clips, max. 1.5 mm ²
Assembly	Horizontal
IEC protection class	IP20
Certification	CE, RoHS
Current consumption	24 V DC operation: ≤ 500 mA, power on: ≤ 1.25 A
Operating temperature range	0 °C – +50 °C
Communication interfaces	2 × Ethernet, RJ45, 2 × USB-A
Video interfaces	1 × Micro HDMI
Switches and LEDs	5 diagnosis LEDs



Specification text

This specification text describes the general properties of the product. Texts for variants can be generated with our Easy Product Finder design program.

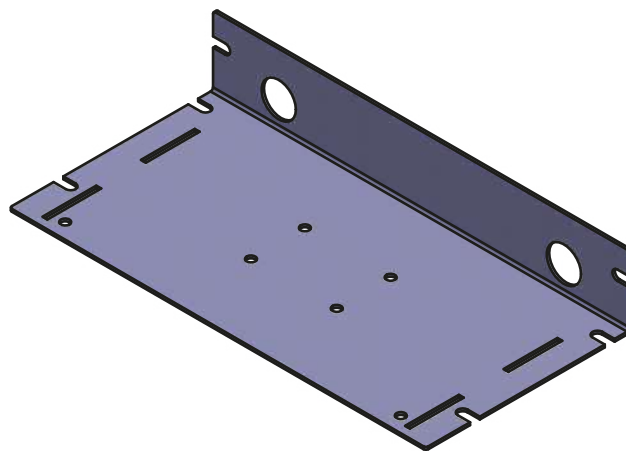
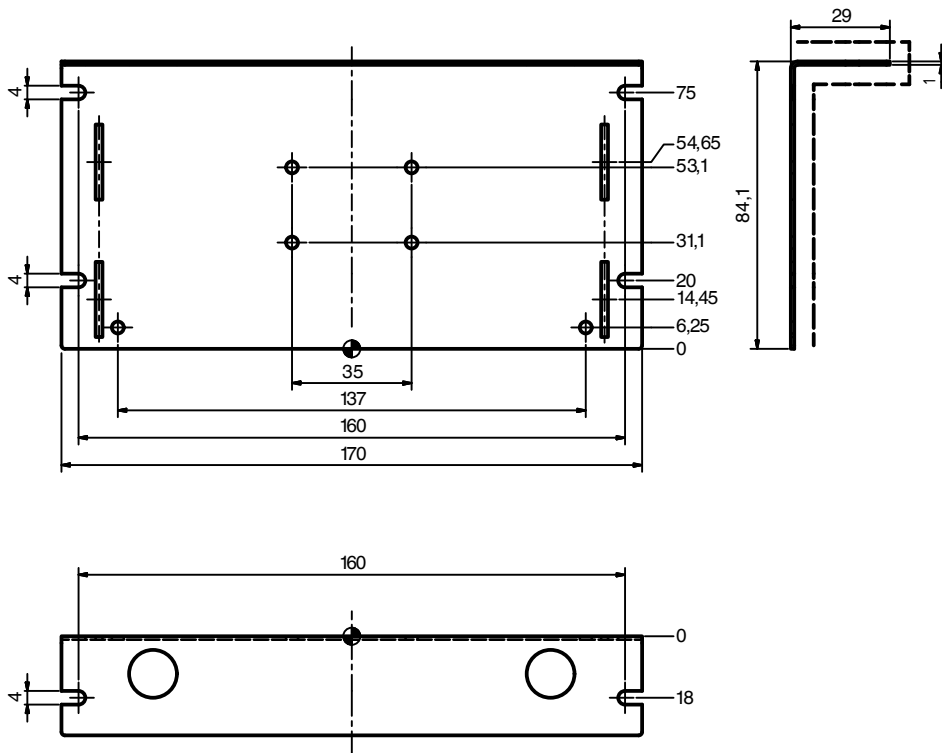
Specification text

Communication master for visualisation via web server.

Communication master for up to 20 AS-i controllers TNC-A1412 as controller network Ethernet.

- Without screen
- Communication master for up to 20 AS-i controllers TNC-A1412 in an Ethernet controller network with Modbus/TCP
- Interfaces: Modbus/TCP and BACnet/IP for connection to a central building management system (BMS) without additional project planning effort
- With pre-installed TROXNETCOM Basic user software for control and display of the system statuses
- Automatic functional test, including documentation
- Real time clock
- Ethernet, USB
- Protection level: IP 20
- Supply voltage: 24 V DC
- Make: TROX GmbH or equivalent
- Type: TNC-HCM

Dimensions



Fixing bracket