

► Air terminal
devices ►►



Four in one!

RFD swirl diffuser including

- Plenum box
- Volume flow control
- Noise insulation

TROX[®] TECHNIK
The art of handling air

► RFD ceiling diffuser with Sirius ►►

Four functions in one component

The combination of the RFD plenum box with the new Sirius plenum box brings together four functions in one product.

Plenum box, control unit, noise insulation and outlet are intelligently combined in a compact space, resulting in a cost-saving unit with excellent acoustic properties.

Simple design, assembly and maintenance

The multifunctional solution not only simplifies the design, but also eliminates the need for many obtrusive inspection accesses in the ceiling, thereby enabling more space for other services.

The installation is much simpler and faster with four functions in one component. The patented, toolless fast assembly makes commissioning and maintenance significantly easier.

Quiet volume flow control with adjustable controller cage



Toolless quick release fastener for easier assembly and maintenance

Perfectly networked

A number of control options simplify the networking and integration into the existing building services.

For example, the combination with the X-AIRCONTROL control system is ideal, as it offers customised and demand-based room and zone control.



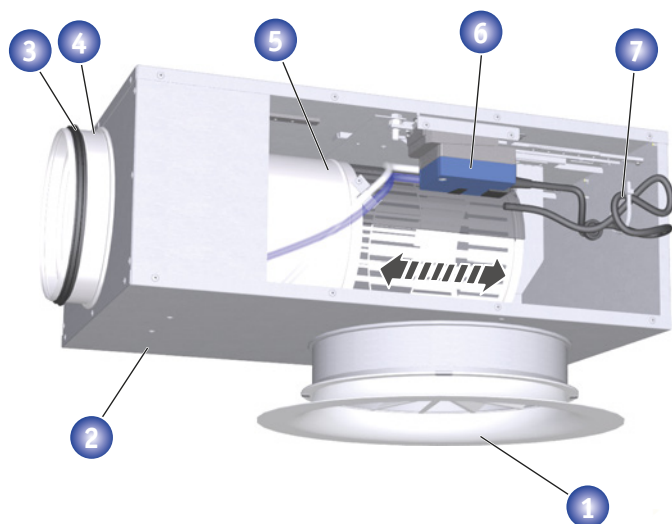
The RFD is also available in a square outlet variant



► Smart and compact ►►

A complete solution that saves time and money

- Combination of plenum box, volume flow controller, sound attenuator and outlet in one
- Saves up to 50% in costs when compared to the assembly of individual components
- Also ideal for refurbishments with low inserted ceilings thanks to particularly flat design
- Toolless assembly of the front outlet with patented flat springs
- Easy maintenance – all components can be accessed through the front diffuser opening
- The RFD Sirius is available in sizes 160 to 400 mm, and is also compatible with free-hanging assembly



- 1 Front outlet type RFD
- 2 SIRIUS plenum box
- 3 Lip seal
- 4 Spigot
- 5 Controller cage
- 6 Control component
- 7 Connecting cable



◀▶ RFD: 160, 200, 250, 315, 400 mm

SIRIUS: 125, 160, 200, 250 mm

➡ 4.7 – 171.4 l/s or 17 – 617 m³/h



TROX[®] TECHNIK

The art of handling air

TROX GmbH
Heinrich-Trox-Platz
47504 Neukirchen-Vluyn
Phone +49 (0) 28 45 / 2 02-0
Fax +49 (0) 28 45 / 2 02-2 65
www.troxtechnik.com
trox@trox.de